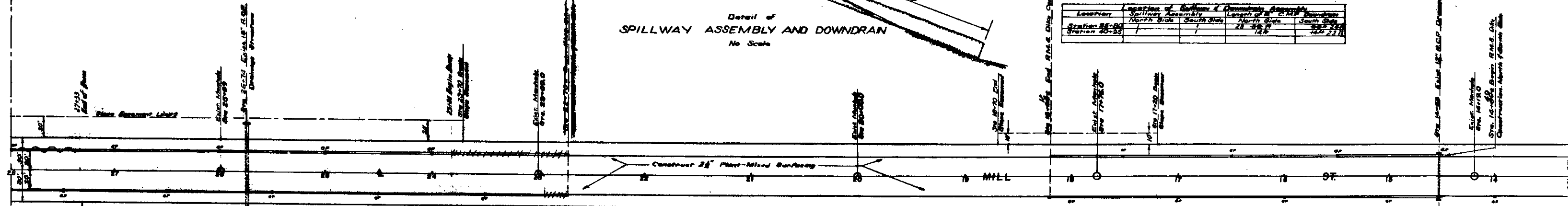


Location	Location of Surface of Downdrain Assembly		
	North Side	North Side	South Side
Station 28+00		28+00.0	28+00.0
Station 28+55		28+55.0	28+55.0

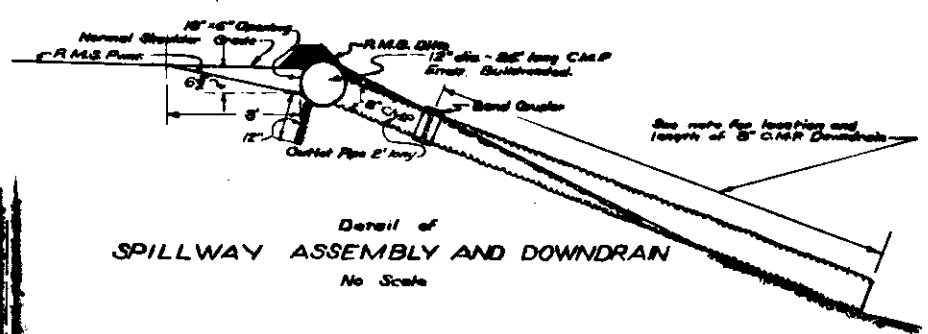
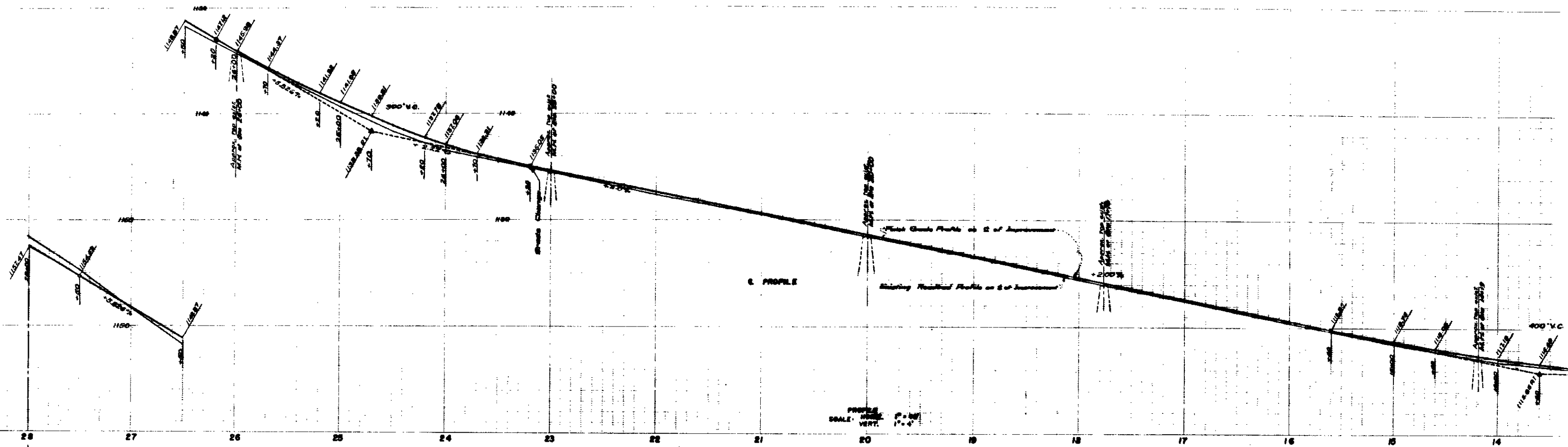


At Sta. 25+00±
Install Spillway Assembly with
Downdrain pipe on North & South
side. See Sheet 5 for details.

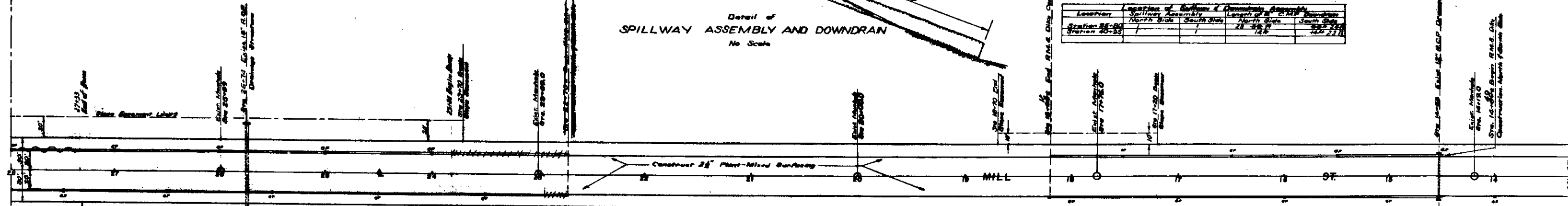
Guide Post to be installed at 100 ft intervals, North of
Spillway. From Sta. 28+00 to Sta. 28+00 Inclusive.
Total = 10 Guide Posts

Guide Post to be installed at 100 ft intervals, North of
Spillway. From Sta. 14+00 to Sta. 18+00 Inclusive.
Total = 9 Guide Posts

At Sta. 14+00±
Construct Plant-Mixed Surfacing
Spillway Downdrain Left and Right
See Sheet 5 for details.



Location	Location of Surface of Downdrain Assembly		
	North Side	North Side	South Side
Station 25+00		21+85.2	22+22.2
Station 25+55		14.2	22+22.2

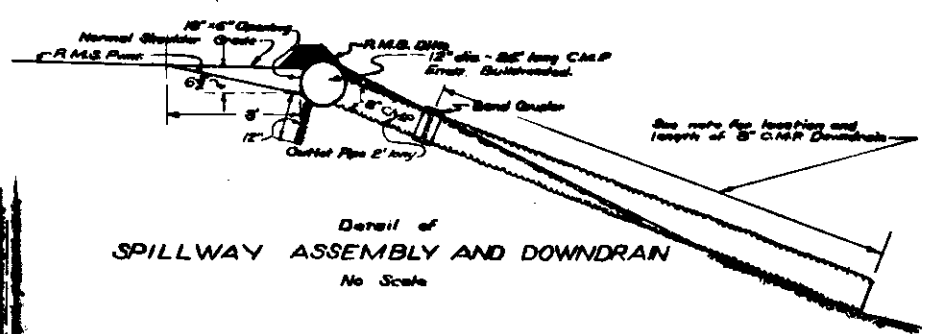
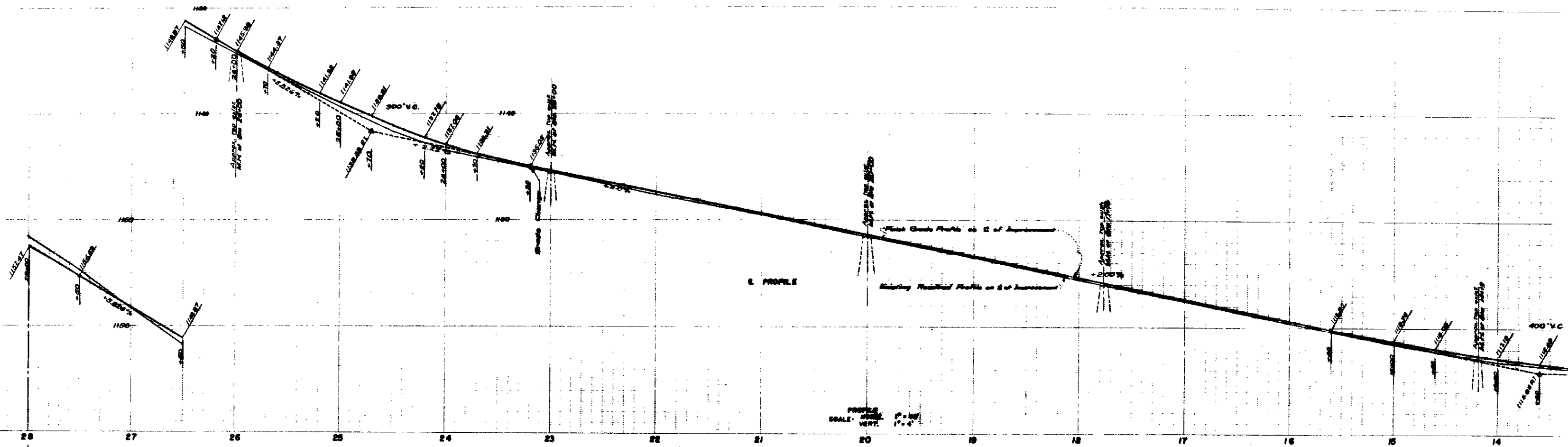


At Sta. 25+00± Install Spillway Assembly with Downdrain pipe on North & South side. See Sheet 5 for details.

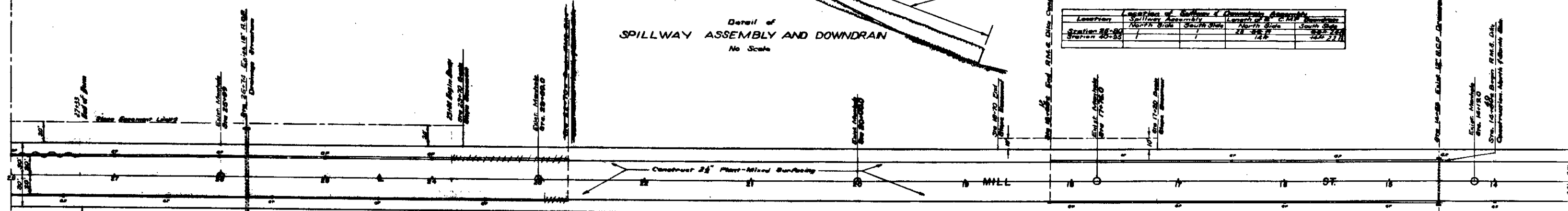
Guide Pipe to be installed at 100 ft intervals, North & South side from Sta. 25+00 to Sta. 28+00 inclusive. Total = 10 Guide Pipes

Guide Pipe to be installed at 100 ft intervals, North & South side from Sta. 14+00 to Sta. 18+00 inclusive. Total = 9 Guide Pipes

At Sta. 14+00± Construct Plant-Mixed Surfacing Spillway Downdrain Left and Right. See Sheet 6 for details.



Location	Location of Surface of Downdrain Assembly		
	North Side	North Side	South Side
Station 25-00		21 45.2	22 55.2
Station 25-55		14.2	22 27.1



At Sta. 25-00±
Install Spillway Assembly with
Downdrain pipe on North & South
side. See Sheet 5 for details.

Guide Pipe to be installed at 100 ft intervals, North &
South Side from Sta. 25-00 to Sta. 25-00 Inclusive.
Total = 10 Guide Pipes

Guide Pipe to be installed at 100 ft intervals, North &
South Side from Sta. 14-00 to Sta. 15-00 Inclusive.
Total = 9 Guide Pipes

At Sta. 14-60±
Construct Plant-Mixed Surfacing
Spillway Downdrain Left and Right
See Sheet 5 for details.